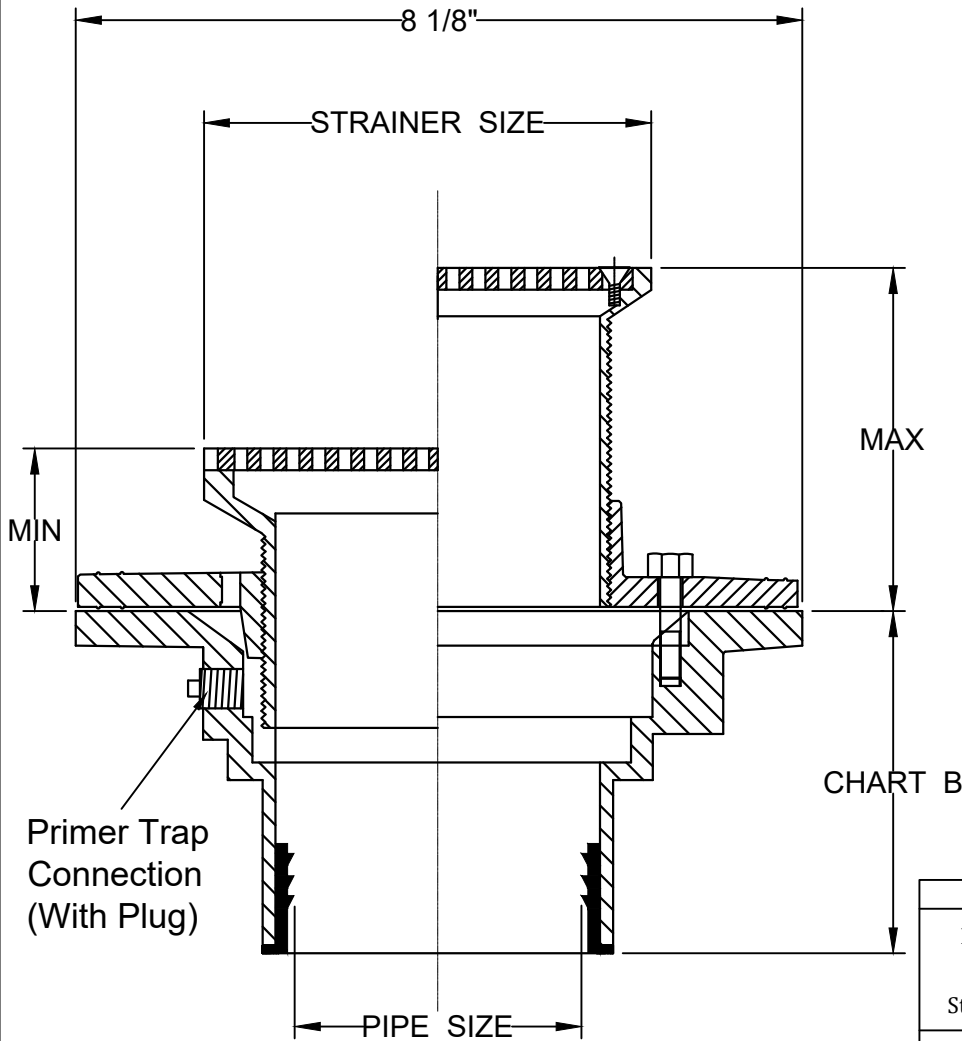


# Floor Drains

## FD-400 R<sub>5</sub>

Cast iron floor drain with nickel bronze round top adjustable strainer.



Item	Material	Option
Body	Cast Iron (CI)	Ductile Iron (DI)
Strainer	Nickel Bronze (NB)	Stainless Steel (S.S)
Finish	C.I Parts	Epoxy Coating
	Strainer	Powder Coating
		Polished

Chart A

Catalogue Number	Outlet Size	Str. Size			Strainer
		Min.	Max.		
FD-400-R <sub>5</sub>	2"	5"	13/16"	3-1/4"	Nickel bronze
FD-400-R <sub>5</sub>	3"	5"	13/16"	3-1/4"	Nickel bronze
FD-400-R <sub>5</sub>	4"	5"	13/16"	3-1/4"	Nickel bronze

Chart B

Pipe Size	Push On-Gasket
2"	4-1/4"
3"	4-1/4"
4"	4-1/4"



### RIYADH FOUNDRY COMPANY

Kingdom of Saudi Arabia, Riyadh, Second Industrial Area

Administrative : Tel.: +966 1 4984323 , +966 1 4980150

Fax.: +966 1 4980395

Email : rainflow@riyadhfoundryco.com

Website : www.riyadhfoundryco.com

