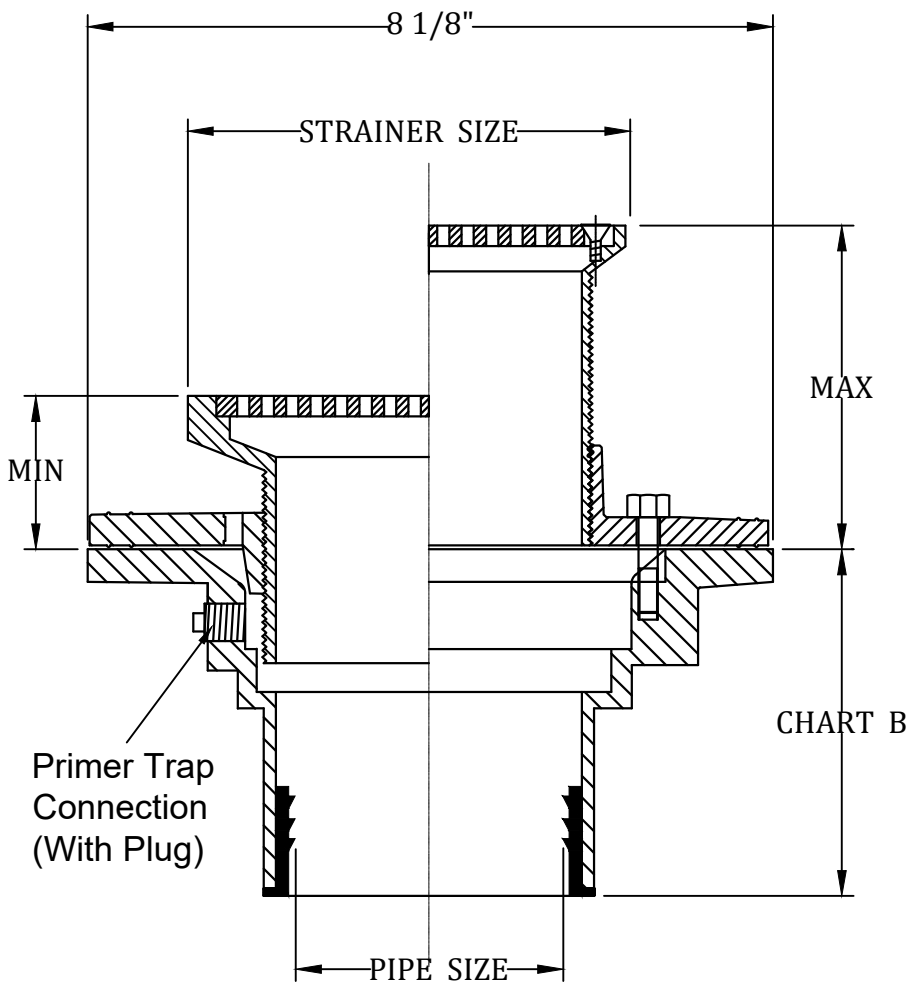


Floor Drains

FD 400 S₅

Cast iron body floor drain with Square top adjustable strainer.



Item	Material	Option
Body	Cast Iron(CI)	Ductile Iron(DI)
Strainer	Nickel Bronze(NB)	_____
Finish	C.I Parts	Epoxy Coating
	Strainer	Powder Coating
		Polished

Chart A

Catalogue Number	Outlet Size	Str. Size			Strainer
		Min.	Max.		
FD-400 S ₅	2"	6x6"	7/8"	3-1/4"	Nickel bronze
FD-400 S ₅	3"	6x6"	7/8"	3-1/4"	Nickel bronze
FD-400 S ₅	4"	6x6"	7/8"	3-1/4"	Nickel bronze

Chart B

Pipe Size	Push On-Gasket
2"	4-1/4"
3"	4-1/4"
4"	4-1/4"



RIYADH FOUNDRY COMPANY

Kingdom of Saudi Arabia, Riyadh, Second Industrial Area

Administrative : Tel.: +966 1 4984323 , +966 1 4980150

Fax.: +966 1 4980395

Email : rainflow@riyadhfoundryco.com

Website : www.riyadhfoundryco.com

