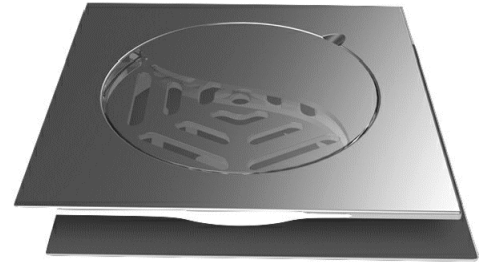
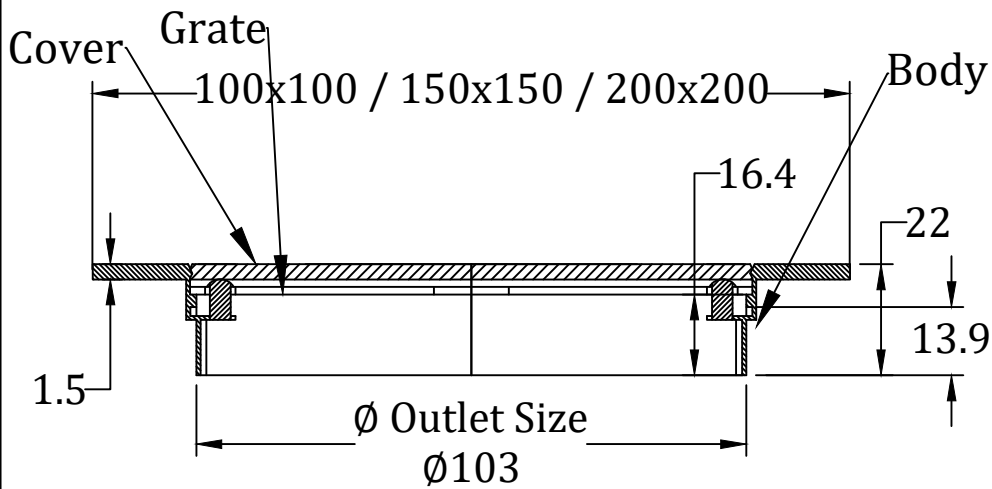


# Finished Floor Drains

## FD 450 H (R1)-1.5mm

Stainless steel body with drop in grate and cover.(S.S 316 / S.S 304)



Model No: -	Outlet Size (inch)	Outlet Type	Cover Size
FD 450 H <sub>2</sub> (R1)	2"	Push Fit Type	150mm x 150mm
FD 450 H <sub>3</sub> (R1)	3"	Push Fit Type	150 mm x 150mm
FD 450 H <sub>4</sub> (R1)	4"	Push Fit Type	150 mm x 150mm
FD 450 H <sub>4</sub> (R1)	4"	Push Fit Type	200 mm x 200mm

Item		Material	Option
Body		Stainless steel (SS)	—
Grate		Stainless steel (SS)	—
Cover		Stainless steel (SS)	—
Finish	S.Steel	Polished	Satin Finish



### RIYADH FOUNDRY COMPANY

Kingdom of Saudi Arabia, Riyadh, Second Industrial Area

Administrative : Tel.: +966 1 4984323 , +966 1 4980150

Fax.: +966 1 4980395

Email : rainflow@riyadhfoundryco.com

Website : www.riyadhfoundryco.com

