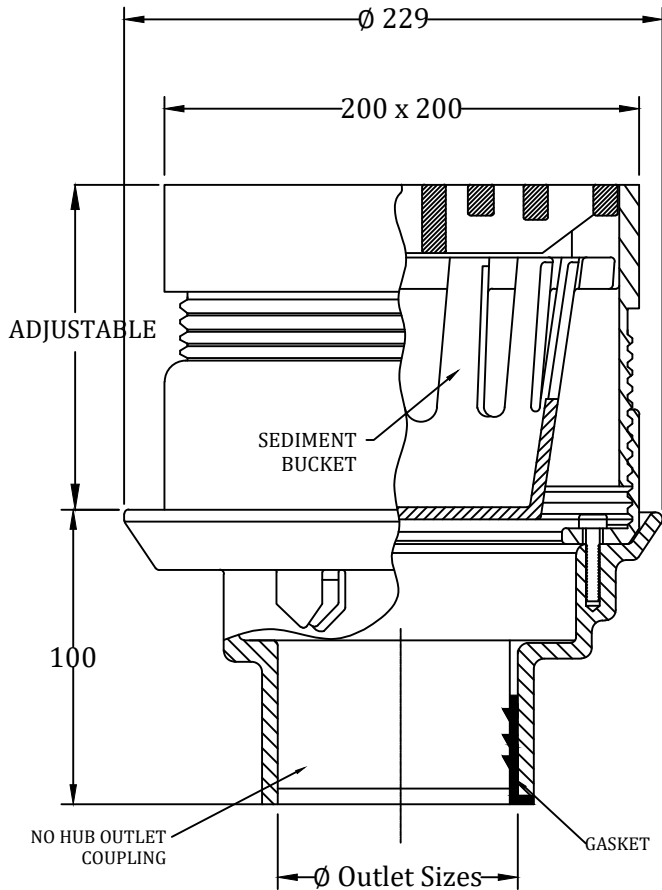


Area Drains

AD 550 H A B S

Cast iron body with bottom outlet , membrane clamp, round frame, sediment bucket seepage openings and adjustable square strainer.



Model No:	Outlet Size	Grate Size
AD-550 H A B S ₂	2"	200x200mm
AD-550 H A B S ₃	3"	200x200mm
AD-550 H A B S ₄	4"	200x200mm

Item	Material	Option	
Body & Clamp	Cast Iron (CI)	_____	
Frame & Bucket	Cast Iron (CI)	_____	
Grate	Ductile iron(DI)	Cast Iron (CI)	
Finish	C.I Parts	Epoxy Coating	Powder Coating
	Grate	Epoxy Coating	Powder Coating



RIYADH FOUNDRY COMPANY

Kingdom of Saudi Arabia, Riyadh, Second Industrial Area

Administrative : Tel.: +966 1 4984323 , +966 1 4980150

Fax.: +966 1 4980395

Email : rainflow@riyadhfoundryco.com

Website : www.riyadhfoundryco.com

