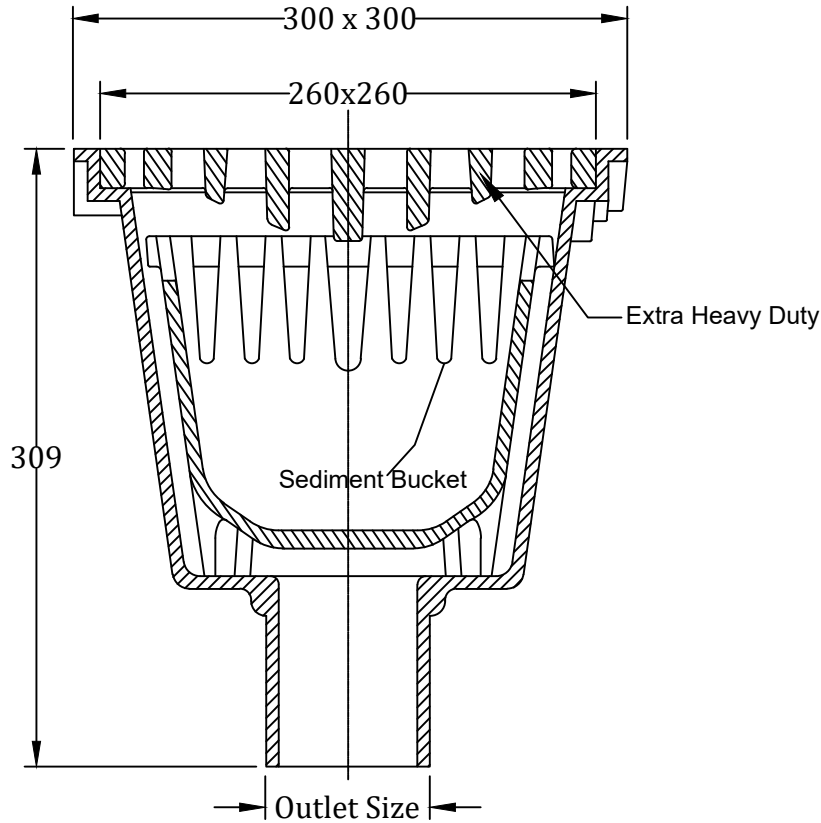


Deep Sump Area Drains

AD 550 H B h

Cast iron body with spigot / No-Hub bottom outlet, sediment bucket and ductile iron hinged grate.



Model No:	Outlet Size	Strainer Size
AD 550 HB h ₃	3"	260x260mm
AD 550 HB h ₄	4"	260x260mm
AD 550 HB h ₆	6"	260x260mm

Item	Material	Option
Body	Cast Iron (CI)	_____
Bucket	Cast Iron (CI)	_____
Grate	Ductile Iron (DI)	Cast Iron (CI)
Finish	C.I Parts	Epoxy Coating
		Powder Coating



RIYADH FOUNDRY COMPANY

Kingdom of Saudi Arabia, Riyadh, Second Industrial Area

Administrative : Tel.: +966 1 4984323 , +966 1 4980150

Fax.: +966 1 4980395

Email : rainflow@riyadhfoundryco.com

Website : www.riyadhfoundryco.com

