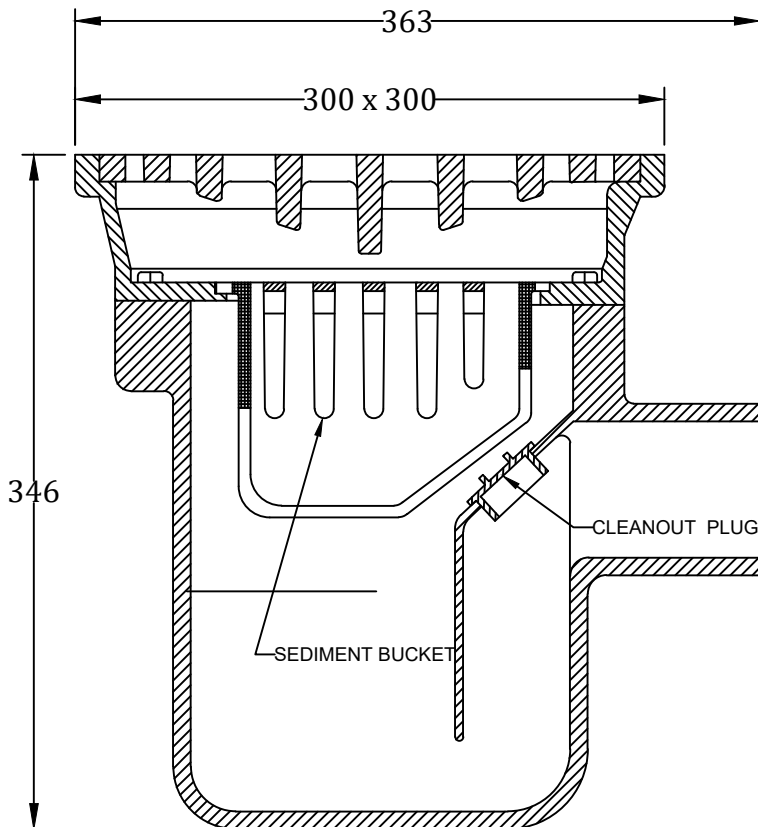


# Deep Sump Area Drains

## AD 550 HP T h

Cast iron body with P Trap & PVC Cleanout plug ,sediment bucket and ductile iron hinged grate.



Model No:	Outlet Size	Strainer Size
AD 550 H P T h <sub>4</sub>	4"	300mm
AD 550 H P T h <sub>6</sub>	6"	300mm

Item		Material	Option
Body		Cast Iron (CI)	—
Bucket & Frame		Cast Iron (CI)	—
Grate		Ductile Iron (DI)	Cast Iron (CI)
Finish	C.I Parts	Epoxy Coating	Powder Coating



### RIYADH FOUNDRY COMPANY

Kingdom of Saudi Arabia, Riyadh, Second Industrial Area

Administrative : Tel.: +966 1 4984323 , +966 1 4980150

Fax.: +966 1 4980395

Email : rainflow@riyadhfoundryco.com

Website : www.riyadhfoundryco.com

