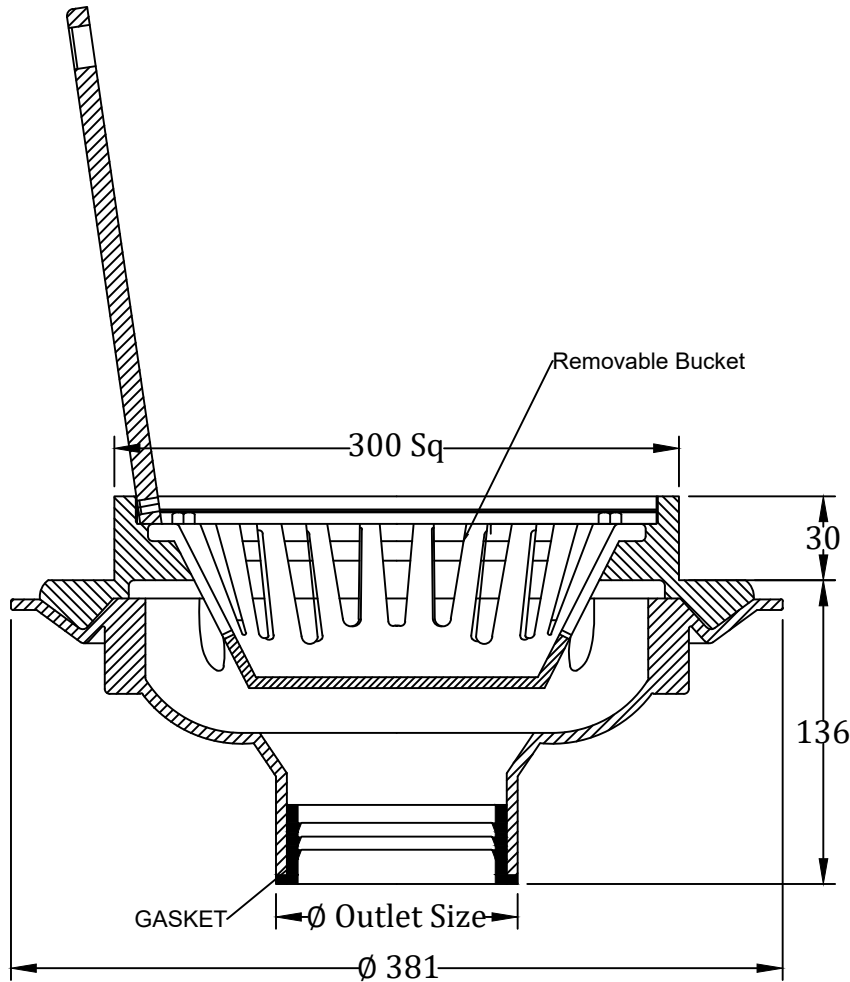


Area Drains

AD 551 H SB

Cast iron large sump body with bottom outlet, membrane clamp, and square ductile iron hinged grate.



Model No:	Outlet Size	Strainer Size
AD 551 H SB ₃	3"	300x300
AD 551 H SB ₄	4"	300x300
AD 551 H SB ₆	6"	300x300

Item	Material	Option	
Body	Cast Iron (CI)	—	
Clamp	Cast Iron (CI)	—	
Grate	Ductile iron(DI)	Cast Iron (CI)	
Finish	C.I Parts	Epoxy Coating	Powder Coating
	Grate	Epoxy Coating	Powder Coating



RIYADH FOUNDRY COMPANY

Kingdom of Saudi Arabia, Riyadh, Second Industrial Area

Administrative : Tel.: +966 1 4984323 , +966 1 4980150

Fax.: +966 1 4980395

Email : rainflow@riyadhfoundryco.com

Website : www.riyadhfoundryco.com

