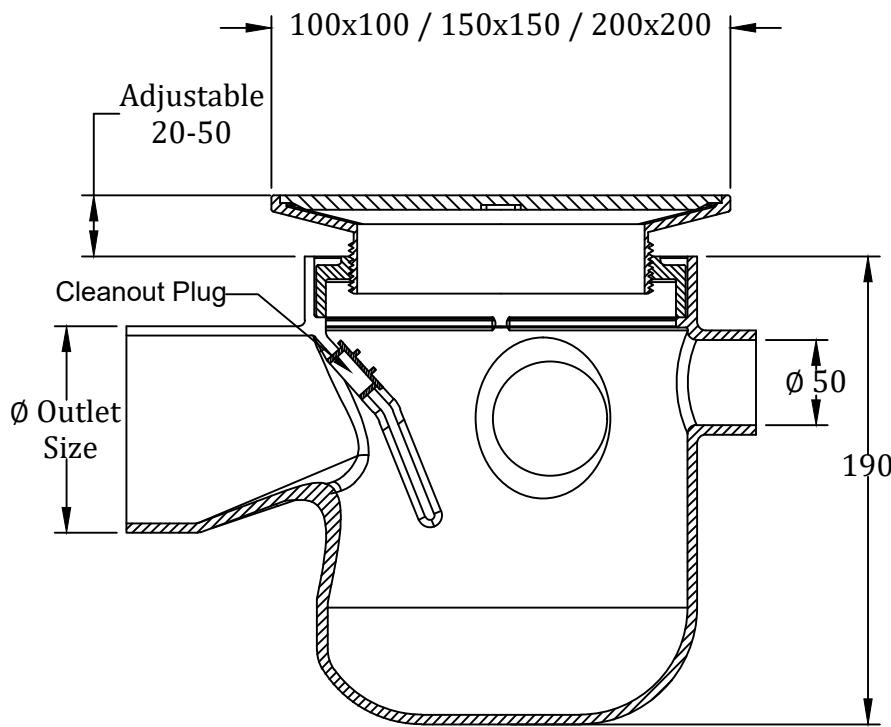


Finished Floor Drains

FD 453 MI NB

Cast iron body, multi-inlet floor drain with a integral trap seal, 3 two inch auxillary inlets, supporting collar with weepholes and adjustable nickel bronze / stainless steel square strainer.



Model No:	Outlet Size	Inlet Size	Outlet and Inlet type
FD 453 MI NB ₃	3"	2"	No-Hub
FD 453 MI NB ₄	4"	2"	No-Hub
FD 453 MI NB ₆	6"	2"	No-Hub

Item	Material	Option
Body	Cast Iron (CI)	—
Collar	Cast Iron (CI)	—
Strainer	Nickel bronze (NB)	—
Finish	C.I Parts	Epoxy Coating / Powder Coating
	Strainer	Polished



RIYADH FOUNDRY COMPANY

Kingdom of Saudi Arabia, Riyadh, Second Industrial Area
Administrative : Tel.: +966 1 4984323 , +966 1 4980150
Fax.: +966 1 4980395

Email : rainflow@riyadhfoundryco.com Website : www.riyadhfoundryco.com

