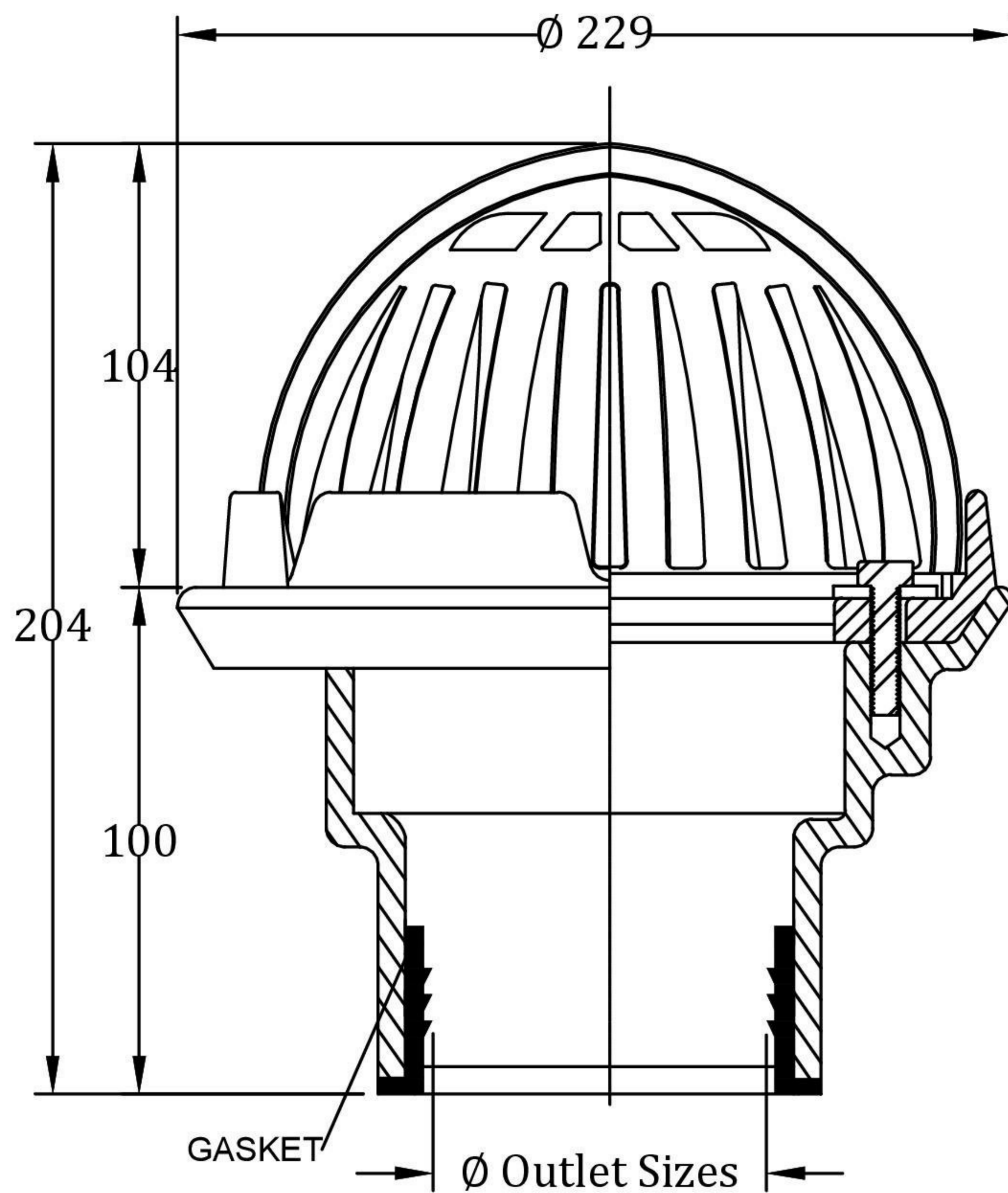


Roof Drains

RD-50

Heavy duty cast iron body with cast iron dome.



Model No:	Pipe Size
RD-50	2"
RD-75	3"
RD-100	4"

Item	Material	Option
Body	Cast Iron(CI)	—
Clamp	Cast Iron(CI)	—
Dome	Cast Iron(CI)	—
Finish	Cast iron	Epoxy Coating
		Powder Coating



RIYADH FOUNDRY COMPANY

Kingdom of Saudi Arabia, Riyadh, Second Industrial Area
Administrative : Tel.: +966 1 4984323 , +966 1 4980150

Fax.: +966 1 4980395

Email : rainflow@riyadhfoundryco.com

Website : www.riyadhfoundryco.com

