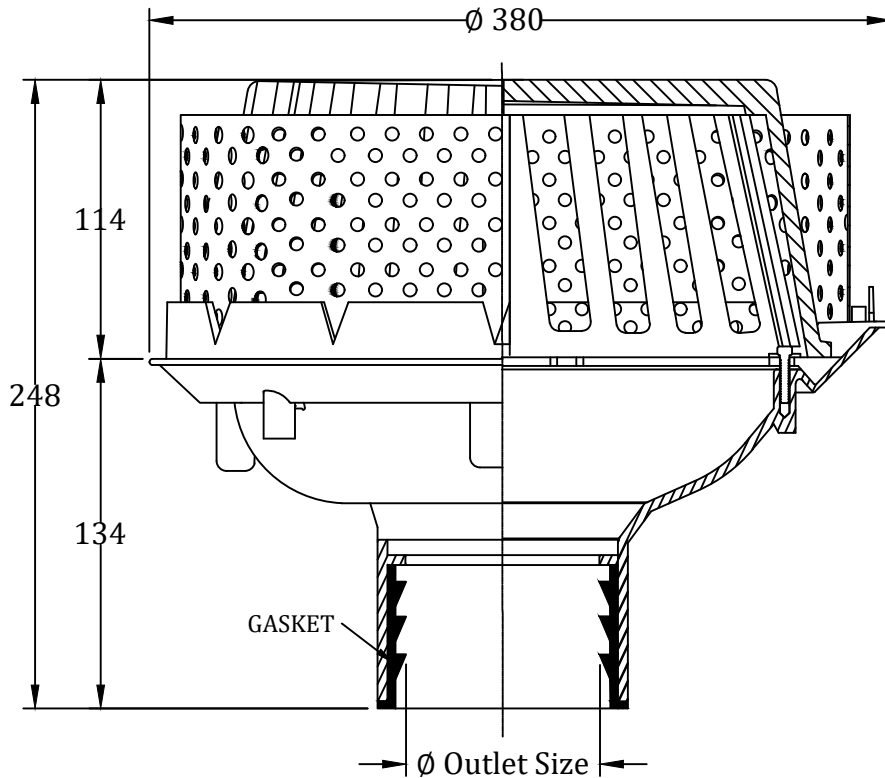


Roof Drains

RD 603 LS SS

Cast iron body with vertical outlet, membrane clamp with integral gravel stop, and stainless steel guard.



Model No:	Outlet Size
RD 603 LS SS ₃	3"
RD 603 LS SS ₄	4"
RD 603 LS SS ₆	6"

Item	Material	Option
Body	Cast Iron(CI)	—
Clamp	Cast Iron(CI)	—
Dome	Cast Iron(CI)	—
Gravel Guard	Stainless steel	—
Finish	C.I Parts	Epoxy Coating
		Powder Coating



RIYADH FOUNDRY COMPANY

Kingdom of Saudi Arabia, Riyadh, Second Industrial Area
Administrative : Tel.: +966 1 4984323 , +966 1 4980150

Fax.: +966 1 4980395

Email : rainflow@riyadhfoundryco.com

Website : www.riyadhfoundryco.com

