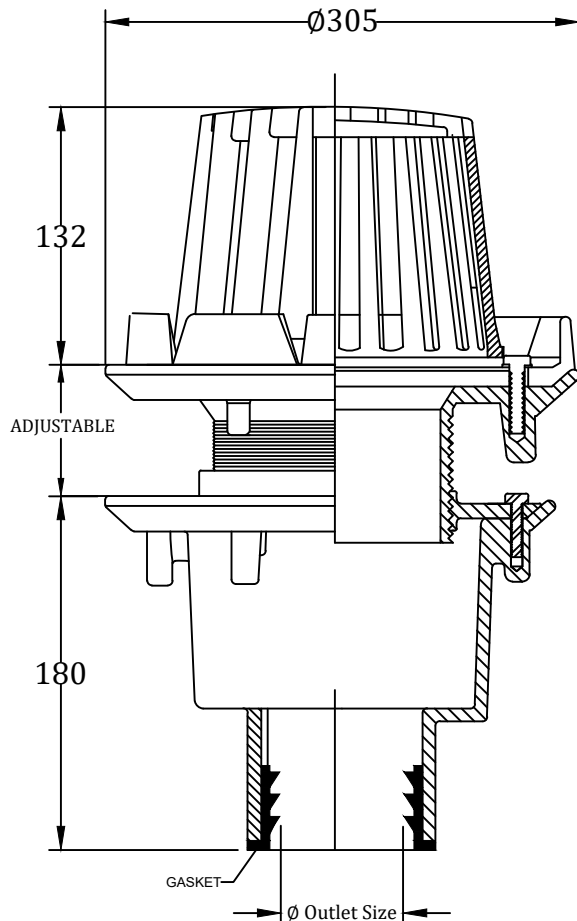


Deep Sump Roof Drains

RD 605 A

Cast iron body with bottom outlet, cast iron dome strainer, clamp with integral gravel stop and adjustable extension sleeve.



Model No:	Outlet Size
RD 605 A ₂	2"
RD 605 A ₃	3"
RD 605 A ₄	4"
RD 605 A ₆	6"

Item	Material	Option
Body	Cast Iron(CI)	—
Clamp & Dome	Cast Iron(CI)	—
Extension & Sleeve	Cast Iron(CI)	—
Finish	C.I Parts	Epoxy Coating Powder Coating



RIYADH FOUNDRY COMPANY

Kingdom of Saudi Arabia, Riyadh, Second Industrial Area
Administrative : Tel.: +966 1 4984323 , +966 1 4980150

Fax.: +966 1 4980395

Email : rainflow@riyadhfoundryco.com

Website : www.riyadhfoundryco.com

